

# Monolithic crystal filter

## MQF40.025-0800/02



### Application

- 4 pol filter
- i.f.- filter
- use in mobile and stationary transceivers

### Limiting values

		Unit	Value
Nominal frequency	$f_0$	MHz	40.025
Insertion loss		dB	< 3.0
Pass band at 1.0dB		kHz	$\pm > 4$
Ripple in pass band	$f_0 \pm 4$ kHz	dB	< 1.0
Stop band attenuation	$f_0 \pm 30$ kHz	dB	> 60
Alternate attenuation	$f_0 - 60$ kHz...-39.625 MHz	dB	> 60
	$f_0 + 30$ kHz...+250 MHz	dB	> 60 except spurious
Spurious responses	$f_0 \pm 30$ ...2000 kHz	dB	> 40
Group delay distortion	$f_0 \pm 4$ kHz	$\mu$ s	< 300

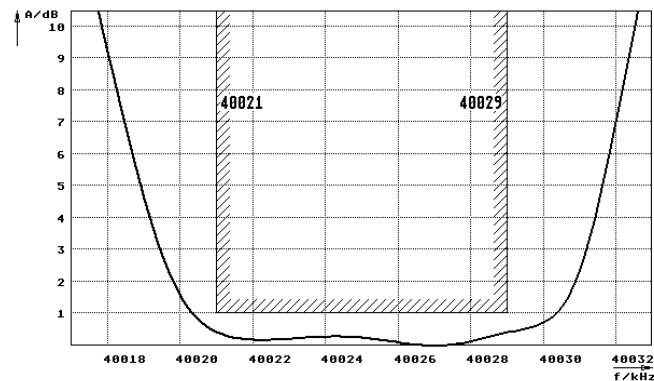
### Terminating impedance Z

R1  C1	Ohm/pF	50    0
R2  C2	Ohm/pF	50    0

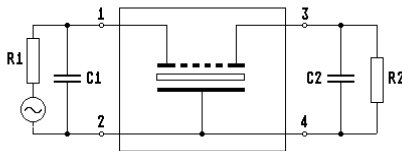
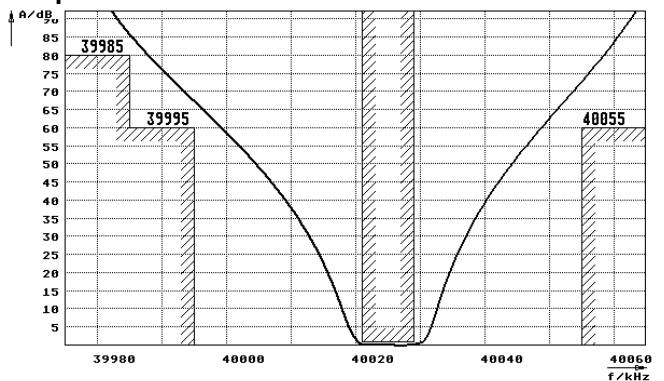
Operating temp. range	°C	-25... +70
Storage temp. range	°C	-45... +85
Environment conditions		according to CF001

### Characteristics MQF40.025-0800/02

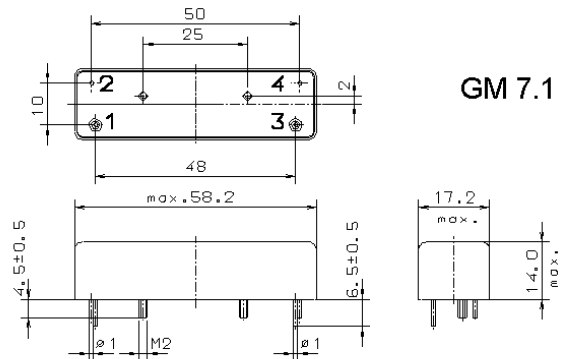
#### Pass band



#### Stop band



- Pin connections:
- 1 Input
  - 2 Ground-Input
  - 3 Output
  - 4 Ground-Output



GM 7.1